

RS-90



HYBRID-TECHNOLOGY RECIPROCATING SCREW
EXTRUSION BLOW MOLDING MACHINE



*RS-90 shown with VT-3
deflash automation*

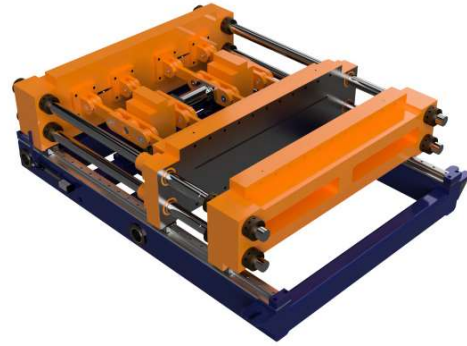
The **RS-90** features an energy efficient hybrid extruder drive, 150 HP VDF motor with fixed-displacement gear pump and hydraulic motor.

Systems are available for handled bottle production with vertical deflash automation up to 6-head gallon, and non-handled products with spin trim automation up to 14-head.

We provide cost-effective solutions for your packaging and other blow molding needs.

CLAMP UNIT (MULTIPLE OPTIONS)

- 16" tall x 42" wide usable platen area
- 16" tall x 48" wide usable platen area
- 30" maximum opening
- 9.0" minimum shut-height
- 15" maximum daylight
- Dual rotary actuator toggle clamp
- 90-ton clamp force
- 4-tiebar assembly + linear way supports
- Proportional valve speed and position control
- Nickel plated 8" thick steel platens
- Side shift option available with 42" platen



EXTRUDER UNIT

- Reciprocating screw process
- 90mm (3.54") dia. 27/1 L/D ratio feed screw
- High efficiency barrier flight design
- 750lbs/hr (340kg) processing for HDPE resin
- 130 RPM maximum continuous screw turn
- 1400-gram maximum shot size
- Cast aluminum extruder heaters
- 4-zone barrel temperature control
- 150 HP VFD with hydraulic motor
- Dual 8" bore x 10" stroke injection cylinders
- Adjustable extruder height for die/mold settings



POWER UNIT

- 150 HP electric motor with VFD, 460 Volt, 3-phase, 60Hz, with fixed displacement gear pump for extruder drive.
- 25 HP electric motor, 460 Volt, 3-phase, 60Hz, 19 GPM pump dual 10-gallon accumulators for machine functions.
- 100-gallon reservoir
- Proportional control valves

ELECTRICAL / GENERAL UTILITY





- Modular PLC controls
- Touch screen operator interface terminal
- VFD controls
- Expandable format for project versatility
- 30,000 lbs (13,608 kg) machine weight
- 275 full load amps, 460 Volt, 3-phase, 60Hz
- 75 CFM @ 100 PSI recommended air supply
- 35 ton chiller, 45 degree Fahrenheit, 60-80 PSI, 80 GPM recommended water supply

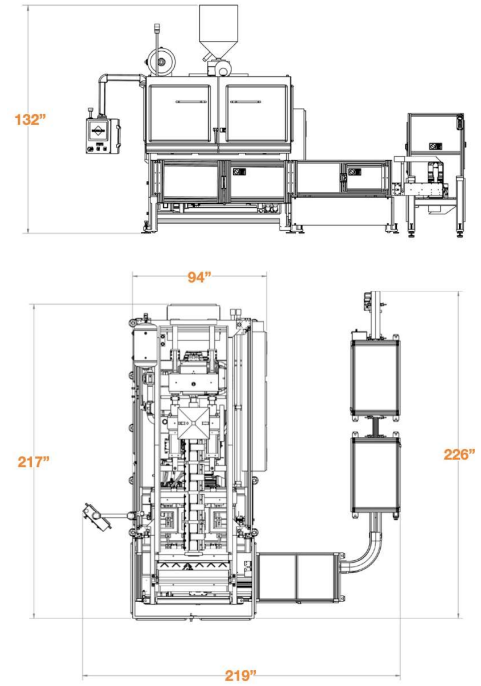
AUTOMATION CONFIGURATIONS

Modular automation and trimming systems available including vertical deflash, tail detabber and spin trimming. Alternate layouts available per customer specifications.

HT1 Spin Trim Take Away System








Rocheleau offers fully automated systems for spin trimming, bottle take away, and tail pulling. Top-grip eject effectively transfers bottles to take-away automation. Systems can be configured with an integrated leak test station with bottle blow off option.

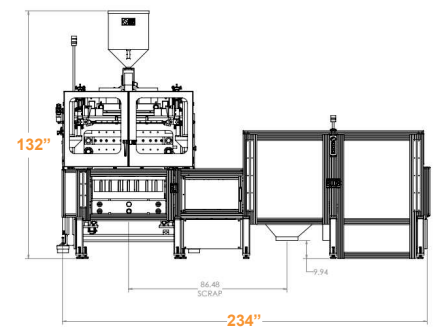
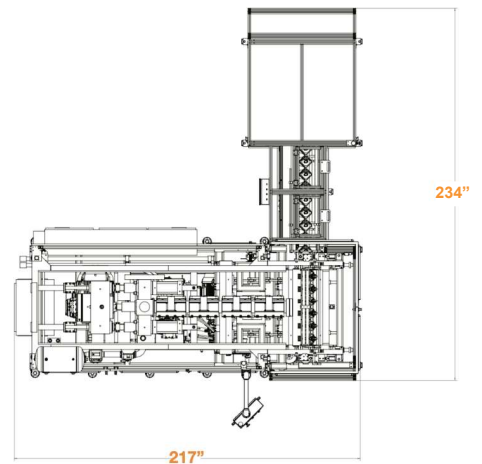
	Container size	Cavitation	48" Clamp
	8oz to 16oz	10 Head	4.75" (120.6mm)
		12 Head	4.0" (101.6mm)
		14 Head	3.375" (85.7mm)
	Quart	8 Head	6.0" (152.4mm)
		10 Head	4.75" (120.6mm)
	Wide Mouth Gallon	5 Head	9.0" (228.6mm)
		6 Head	8.0" (203mm)
	Large Canisters	3 Head	16.0" (406mm)
		4 Head	12.0" (304.8mm)



VT-3 Deflash System

Our vertical trimmer allows bottles to remain standing in upright position for easier transition to down-line processes. Wide punch platen allows single or multiple nest/die setups; keyed backplate allows quick nest/die changes.

	Container size	Cavitation	48" Clamp
	Quart	6 Head	8.0" (203.2mm)
		8 Head	6.0" (152mm)
	Half Gallon	6 Head	8.0" (203.2mm)
		8 Head	6.0" (152mm)
	Gallon	5 Head	9.0" (228.6mm)
		6 Head	8.0" (203mm)
Side Shift			42" Clamp
	Half Gallon "F" Style	5 Head	8.0" (203mm)
		6 Head	7.0" (177.8mm)
	Gallon "F" Style	2 Head	16.0" (406.4mm)
		3 Head	14.0" (355.6mm)
		4 Head	10.0" (254mm)
	2-1/2 Gallon "F" Style	2 Head	16.0" (406mm)
		3 Head	14.0" (355.6mm)
	5 Gallon "F" Style	2 Head	16.0" (406mm)
		3 Head	14.0" (355.6mm)



Standard clamp & head spacing listed. Systems may be modified to accommodate your specific requirements. Notice: Rocheleau reserves the right to incorporate any changes in design without obligation to make these changes on units previously sold.



1-gallon blow molds, 6-cavity



6-head with parison programmer and top finish



HT-1 detabber and spin trimmer



VT-3 punch station

SEE IT IN ACTION:



Dairy & Beverage, Food Packaging, Industrial, Household, Personal Care, Automotive, Pharmaceutical



**ROCHELEAU TOOL & DIE CO., INC. - 117 Industrial Rd., Fitchburg, MA 01420 USA
(978) 345-1723 - www.rocheleautool.com**